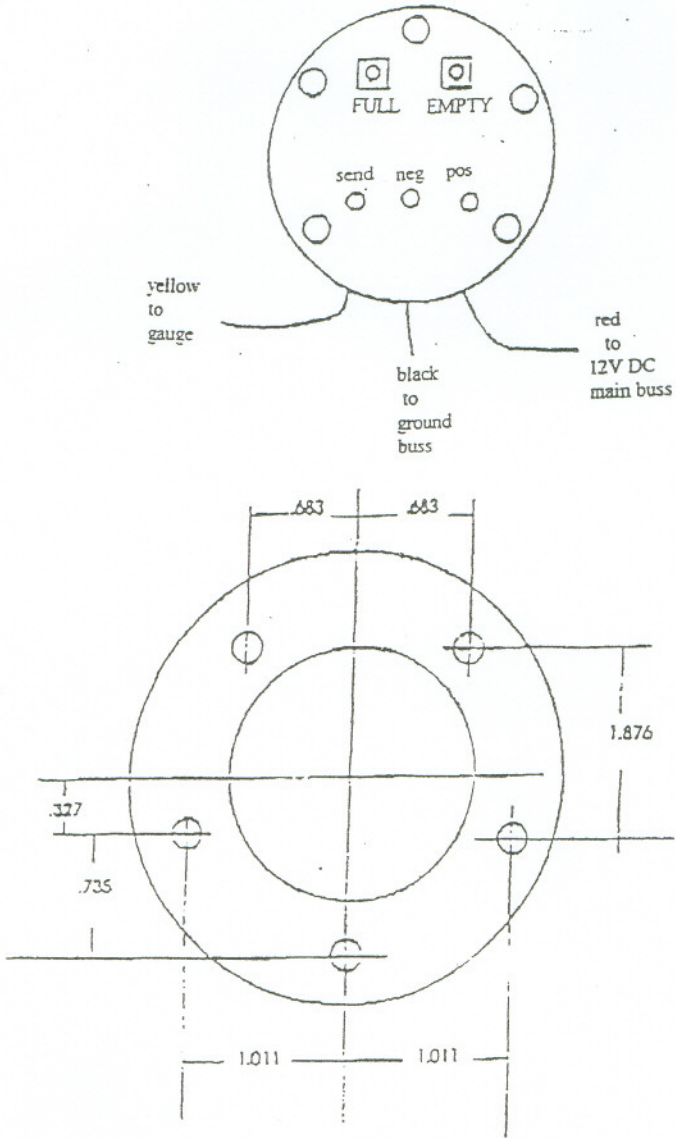


F. DIAGRAM



The mounting flange is $\frac{3}{4}$ " thick. Use standard 5-bolt pattern. Connection wires exit side of mounting flange.

Wultrad, Inc
950 Rand Rd. #119
Wauconda, IL 60084
www.falcongauge.com
Email: info@falcongauge.com